

ASE VEHICLE PTT PUSH-TO-TALK ASE-9575P-VEH



SUMMARY OF KEY FEATURES:

- › PROVIDES IN-VEHICLE SOLUTION FOR IRIDIUM PUSH-TO-TALK (PTT)
- › NATURAL USE WITH PALM/SPEAKER MIC.
- › RUGGED CONNECTORS FOR WIDE RANGING VEHICLE VOLTAGES-9 TO 32VDC
- › EASY CONNECTION TO VEHICLE ANTENNA FOR IRIDIUM AND GPS
- › SUPPORTS THIRD-PARTY PTT ACCESSORIES
- › ALLOWS USE OF IRIDIUM PTT USE WHILE MOVING. NO NEED TO STOP VEHICLE.
- › NO NEED TO EXIT VEHICLE TO COMMUNICATE

ASE AND IRIDIUM PUSH-TO-TALK (PTT)

Iridium Extreme PTT Vehicle Installation Kit

Shown below are the components that ship with, or can be used with the ASE-9575P-VEH-KIT.

COMPONENT DETAILS



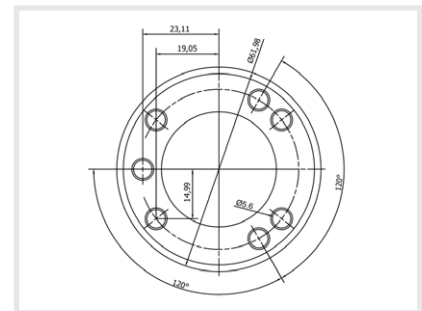
Dual Mode Antenna

Low profile dual mode Iridium +GPS antenna with 5M low loss cable



Rugged 10-32VDC

Ruggedized connectors for wide ranging power supplies.



RAM Vehicle Mounting

Ram mounting for flexible installation.



ASE-9575P-VEH

Voltage	10-32 VDC	Cable or DC Adapter
Power	12 Watts	Active Peak
Antenna Connections	Iridium SMA-F	GPS SMA-F
Operating Temp	-10 to 55 C	
Dimensions	13 x 6 x 4.5 in	33 x 15 x 11.5 cm
Weight	3.5 lbs	1.6 kg
Shipping Weight	6.0 lbs	2.7 kg
Shipping Dimensions	16 x 14 x 8 in	41 x 36 x 20 cm

IRIDIUM EXTREME VOICE OR PTT VEHICLE DOCKING STATION

ADDITIONAL FEATURES/COMPONENTS



Dual Antenna Options

- › Magnetic low cost available
- › ASE recommends DMVA05
- › ASE DMVA05: dual mode
- › Ships with 5 meter cable



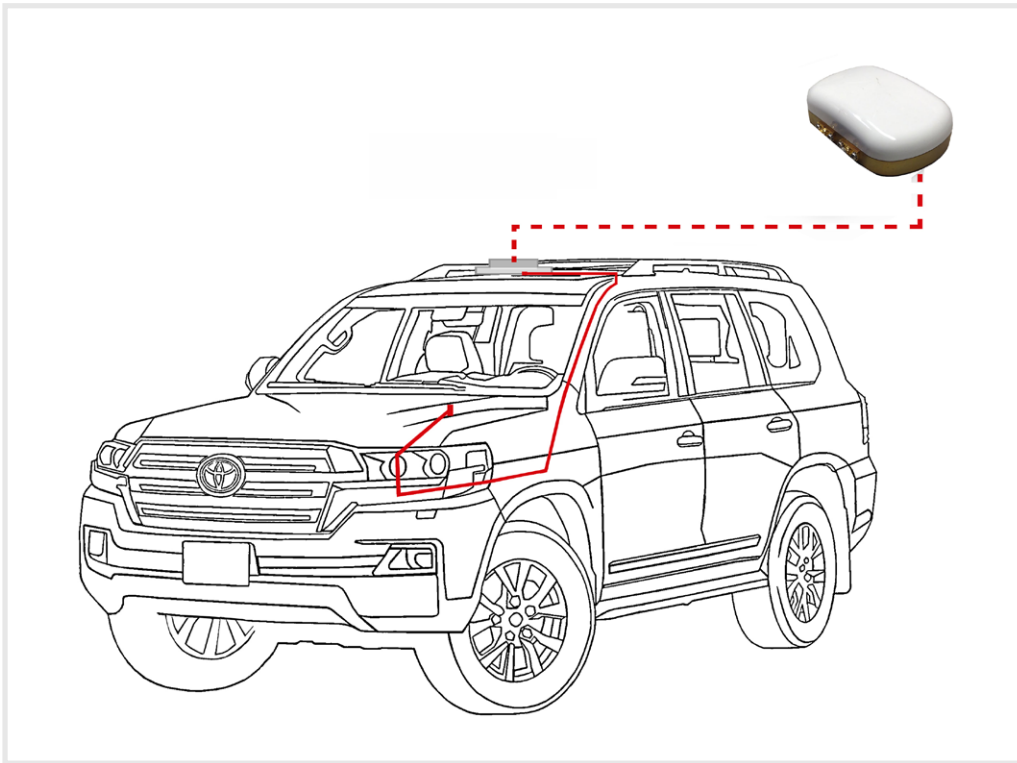
Rugged Expandable

- › Perfect for high noise environment
- › Third party headphones
- › Use S2 connectors
- › Contact us for assistance

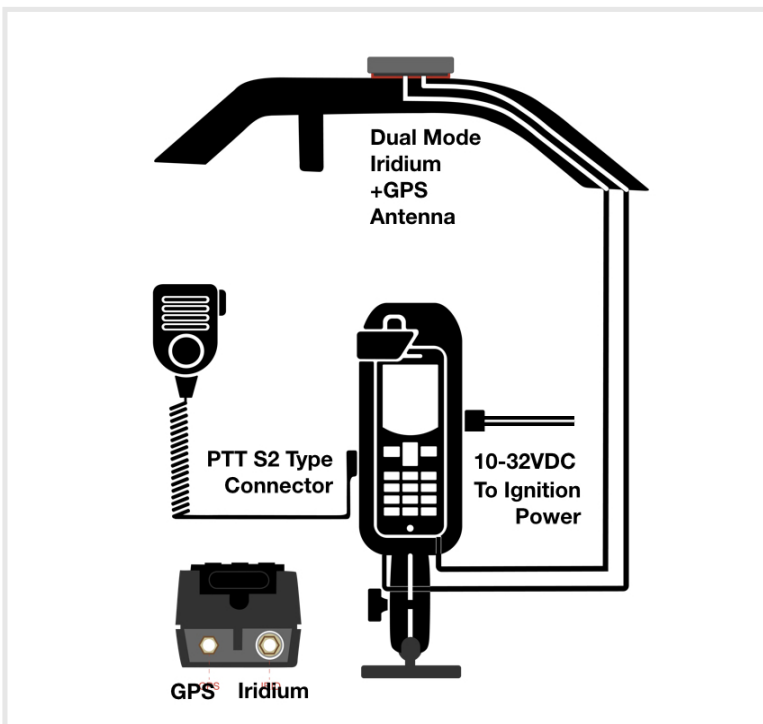


PTT Components

- › Any S2 connector
- › Includes Bluetooth accessories
- › Search for S2 connectors
- › Contact us for assistance

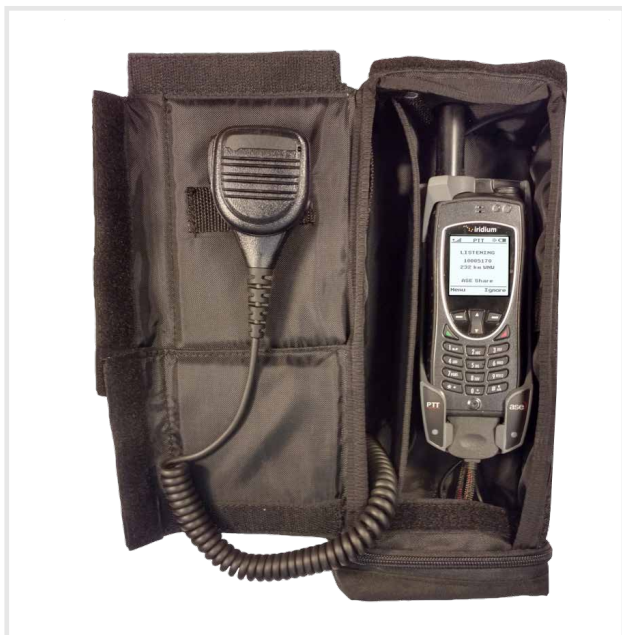


EXAMPLE ANTENNA CABLE ROUTING



SCHEMATIC OF CONNECTIONS

GRAB AND GO FOR VEHICLES



ASE-BAGDOCK ASE-9575P BAGDOCK



ASE-BOXDOCK ASE-9575P BOXDOCK

PTT PACKAGES AND COMPONENTS

EQUIPMENT AND SHIPPING INFORMATION

ASE-
9575P-VEH

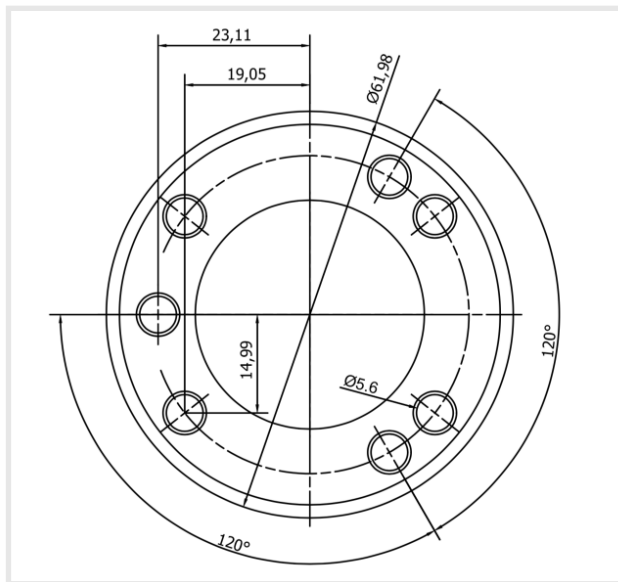
Standard push-to-talk docking station with POTS and GPS: Includes dock, RAM Mount, fist speaker/mic

Harmonized Code - HTS#: 8518.30.2000 **ECCN:** EAR99

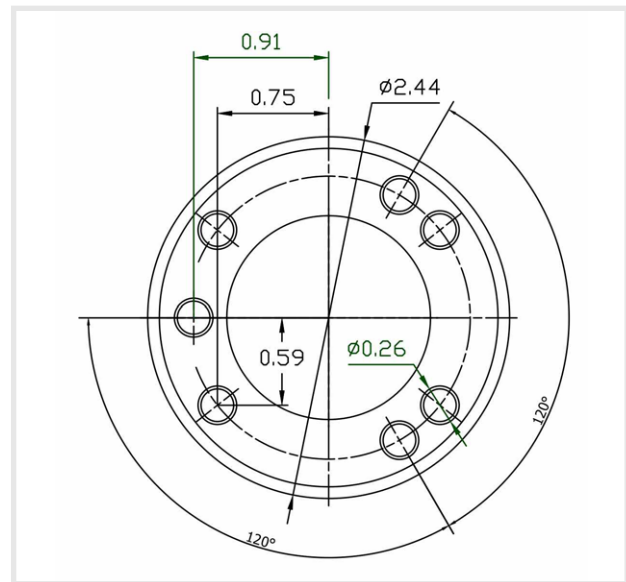
Shipping dimensions: 16in x 14in x 8in, 6lbs (41cm x 36cm x 20cm, 3kg)



ADDITIONAL INFORMATION



RAM MOUNTING-METRIC



RAM MOUNTING-INCHES

CONTACT BLUE SKY NETWORK

San Diego, CA Office

5353 Mission Center Road, #222
San Diego, CA 92108, USA

Phone: +1 858-551-3894

E-mail: sales@blueskynetwork.com

Scottsdale, AZ Office

16559 N 92nd Street, #101
Scottsdale, AZ 85260, USA

Phone: +1 480-443-1424

E-mail: sales@blueskynetwork.com



www.blueskynetwork.com

San Diego, CA: +1 858-551-3894

Scottsdale, AZ: +1 480-443-1424

sales@blueskynetwork.com